

High-performance Regulator IC Series for PCs



# Switching Regulators for DDR-SDRAM Cores

## BD9533EKN

---

### •Description

BD9533EKN is a switching regulator controller with high output current which can achieve low output voltage (0.7V to 2.0V) from a wide input voltage range (4.5V to 28V). High efficiency for the switching regulator can be realized by utilizing an external N-MOSFET power transistor. A new technology called H<sup>3</sup>Reg<sup>TM</sup> is a Rohm proprietary control method to realize ultra high transient response against load change. SLLM (Simple Light Load Mode) technology is also integrated to improve efficiency in light load mode, providing high efficiency over a wide load range. For protection and ease of use, the soft start function, variable frequency function, short circuit protection function with timer latch, over voltage protection function and REF synchronous function are all built in. This switching regulator is specially designed for the DDR-SDRAM core.

### •Features

- 1) H<sup>3</sup>Reg<sup>TM</sup> Switching Regulator Controller
- 2) Light Load Mode and Continuous Mode Changeable
- 3) Thermal Shut Down (TSD), Under Voltage LockOut (UVLO), Over Current Protection (OCP), Over Voltage Protection (OVP), Short Circuit Protection (SCP) built-in
- 4) Soft start function to minimize rush current during startup
- 5) Switching Frequency Variable (f=200KHz~600KHz)
- 6) HQFN20V Package

### •Applications

Laptop PC, Desktop PC, LCD-TV, Digital Components

●Maximum Absolute Ratings (Ta=25°C)

| Parameter                    | Symbol              | Limit              | Unit |
|------------------------------|---------------------|--------------------|------|
| Input Voltage 1              | VCC                 | 7 <sup>*1</sup>    | V    |
| Input Voltage 2              | VDD                 | 7 <sup>*1</sup>    | V    |
| Input Voltage 3              | VIN                 | 30 <sup>*1</sup>   | V    |
| BOOT Voltage                 | BOOT                | 35 <sup>*1</sup>   | V    |
| BOOT-SW Voltage              | BOOT-SW             | 7 <sup>*1</sup>    | V    |
| HG-SW Voltage                | HG-SW               | 7 <sup>*1</sup>    | V    |
| LG Voltage                   | LG                  | VDD                | V    |
| REF Voltage                  | REF                 | VCC                | V    |
| Output Voltage               | VOUT/Is+/Is-        | VCC                | V    |
| ILIM/SCP/SS/FS/SLLM Voltage  | ILIM/SCP/SS/FS/SLLM | VCC                | V    |
| VREG Voltage                 | VREG                | VCC                | V    |
| EN Input Voltage             | EN                  | 7 <sup>*1</sup>    | V    |
| Power Dissipation 1          | Pd1                 | 0.5 <sup>*2</sup>  | W    |
| Power Dissipation 2          | Pd2                 | 0.75 <sup>*3</sup> | W    |
| Power Dissipation 3          | Pd3                 | 1.75 <sup>*4</sup> | W    |
| Power Dissipation 4          | Pd4                 | 2.00 <sup>*5</sup> | W    |
| Operating Temperature Range  | Topr                | -10~+100           | °C   |
| Storage Temperature Range    | Tstg                | -55~+150           | °C   |
| Maximum Junction Temperature | Tjmax               | +150               | °C   |

\*1 Not to exceed Pd.

\*2 Reduced by 4mW for each increase in Ta of 1°C over 25°C (when don't mounted on a heat radiation board )

\*3 Reduced by 6mW for increase in Ta of 1°C over 25°C. (when mounted on a board 70.0mm×70mm×1.6mm Glass-epoxy PCB.)

\*4 Reduced by 14mW for increase in Ta of 1°C over 25°C. (when mounted on a board 70.0mm×70mm×1.6mm Glass-epoxy PCB.)

\*5 Reduced by 16mW for increase in Ta of 1°C over 25°C. (when mounted on a board 70.0mm×70mm×1.6mm Glass-epoxy PCB.)

●Operating Conditions (Ta=25°C)

| Parameter              | Symbol  | MIN  | MAX | Unit |
|------------------------|---------|------|-----|------|
| Input Voltage 1        | VCC     | 4.5  | 5.5 | V    |
| Input Voltage 2        | VDD     | 4.5  | 5.5 | V    |
| Input Voltage 3        | VIN     | 4.5  | 28  | V    |
| BOOT Voltage           | BOOT    | 4.5  | 33  | V    |
| SW Voltage             | SW      | -0.7 | 28  | V    |
| BOOT-SW Voltage        | BOOT-SW | 4.5  | 5.5 | V    |
| SLLM Input Voltage     | SLLM    | 0    | 5.5 | V    |
| EN Input Voltage       | EN      | 0    | 5.5 | V    |
| Output setting voltage | REF     | 0.7  | 2.0 | V    |
| Is Input Voltage       | Is+/Is- | 0.7  | 2.7 | V    |
| MIN ON Time            | Tonmin  | -    | 200 | nsec |

★ This product should not be used in a radioactive environment.

●ELECTRICAL CHARACTERISTICS

(unless otherwise noted, Ta=25°C VCC=5V,VDD=5V,EN/SLLM=5V,VIN=12V,REF=1.8V,RFS=68kΩ)

| Parameter                        | Symbol     | Standard Value |         |          | Unit | Condition                        |
|----------------------------------|------------|----------------|---------|----------|------|----------------------------------|
|                                  |            | MIN            | TYP     | MAX      |      |                                  |
| [Whole Device]                   |            |                |         |          |      |                                  |
| VCC Bias Current                 | Icc        | -              | 700     | 900      | μA   |                                  |
| VIN Bias Current                 | Iin        | -              | 100     | 200      | μA   |                                  |
| VCC Standby Current              | Iccstb     | -              | 0       | 10       | μA   | EN=0V                            |
| VIN Standby Current              | Iinstb     | -              | 100     | 200      | μA   | EN=0V                            |
| EN Low Voltage                   | Enlow      | GND            | -       | 0.8      | V    |                                  |
| EN High Voltage                  | Enhhigh    | 2.3            | -       | 5.5      | V    |                                  |
| EN Bias Current                  | Ien        | -              | 7       | 10       | μA   |                                  |
| VREG Voltage                     | Vreg       | 2.475          | 2.500   | 2.525    | V    | Ireg=100μA<br>Ta=-10°C to 100°C* |
| [Under Voltage Locked Out ]      |            |                |         |          |      |                                  |
| VCC threshold voltage            | Vcc_UVLO   | 4.1            | 4.3     | 4.5      | V    | VCC:Sweep up                     |
| VCC hysteresis voltage           | dVcc_UVLO  | 100            | 160     | 220      | mV   | VCC:Sweep down                   |
| VIN threshold voltage            | Vin_UVLO   | 4.1            | 4.3     | 4.5      | V    | VIN:Sweep up                     |
| VIN hysteresis voltage           | dVin_UVLO  | 100            | 160     | 220      | mV   | VIN:Sweep down                   |
| VREG threshold voltage           | Vreg_UVLO  | 2.0            | 2.2     | 2.4      | V    | VREG:Sweep up                    |
| VREG hysteresis voltage          | dVreg_UVLO | 100            | 160     | 220      | mV   | VREG:Sweep down                  |
| [H <sup>3</sup> Reg™]            |            |                |         |          |      |                                  |
| Frequency                        | Fosc       | -              | 300     | -        | kHz  |                                  |
| ON Time                          | Ton        | 400            | 500     | 600      | nsec |                                  |
| MAX ON Time                      | Tonmax     | -              | 3       | -        | μsec |                                  |
| MIN OFF Time                     | Toffmin    | -              | 450     | 550      | nsec |                                  |
| [FET Driver]                     |            |                |         |          |      |                                  |
| HG Higher side ON resistor       | HGhon      | -              | 3.0     | 6.0      | Ω    |                                  |
| HG Lower side ON resistor        | HGlon      | -              | 2.0     | 4.0      | Ω    |                                  |
| LG Higher side ON resistor       | LGhon      | -              | 2.0     | 4.0      | Ω    |                                  |
| LG Lower side ON resistor        | LGlon      | -              | 0.5     | 1.0      | Ω    |                                  |
| [Dead Time]                      |            |                |         |          |      |                                  |
| HG rising                        | HGdead     | -              | 50      | -        | nsec |                                  |
| LG rising                        | LGdead     | -              | 50      | -        | nsec |                                  |
| [SCP]                            |            |                |         |          |      |                                  |
| SCP Detect Voltage               | Vscp       | REF×0.65       | REF×0.7 | REF×0.75 | V    |                                  |
| SCP threshold voltage            | Vscpth     | 1.2            | 1.25    | 1.3      | V    |                                  |
| Charge current                   | Iscp       | 1.5            | 2       | 2.5      | μA   |                                  |
| Standby voltage                  | Vscp_stb   | -              | -       | 50       | mV   |                                  |
| [OVP]                            |            |                |         |          |      |                                  |
| OVP Detect Voltage               | VOVP       | REF×1.16       | REF×1.2 | REF×1.24 | V    |                                  |
| [Soft start]                     |            |                |         |          |      |                                  |
| Charge current                   | Iss        | 1.5            | 2       | 2.5      | μA   |                                  |
| Standby voltage                  | Vss_stb    | -              | -       | 50       | mV   |                                  |
| [Over Current Protection Block]  |            |                |         |          |      |                                  |
| Current limit threshold1         | Ilim1      | 43             | 50      | 57       | mV   | ILIM=0.5V<br>Ta=-10°C to 100°C*  |
| Current limit threshold2         | Ilim2      | 160            | 200     | 240      | mV   | ILIM=2.0V                        |
| Reverse current limit threshold1 | Rellim1    | -              | -50     | -        | mV   | ILIM=0.5V                        |
| Reverse current limit threshold2 | Rellim2    | -              | -200    | -        | mV   | ILIM=2.0V                        |
| [VOUT setting ]                  |            |                |         |          |      |                                  |
| VOUT offset voltage1             | Voutoff1   | REF-7m         | REF     | REF+7m   | V    | Ta=-10°C to 100°C*               |
| VOUT bias current                | Ivout      | -100           | 0       | 100      | nA   |                                  |
| REF bias current                 | Iref       | -100           | 0       | 100      | nA   |                                  |
| Is+ Input current                | IIs+       | -1             | 0       | 1        | μA   | Is+=1.8V                         |
| Is- Input current                | IIs-       | -1             | 0       | 1        | μA   | Is-=1.8V                         |
| [SLLM ]                          |            |                |         |          |      |                                  |
| Continuous mode threshold        | Vthcon     | VCC-0.5        | -       | VCC      | V    |                                  |
| SLLM threshold                   | VthSLLM    | GND            | -       | 0.5      | V    |                                  |

\* Design Guarantee

●Reference Data

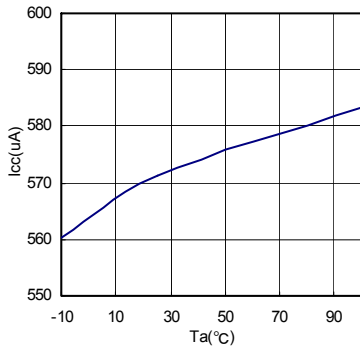


Fig.1 Ta vs Icc

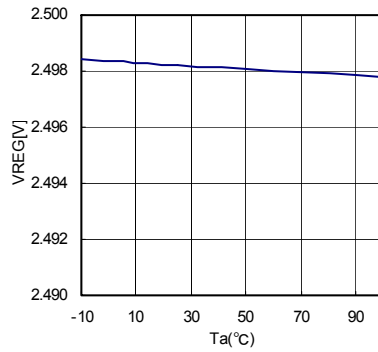


Fig.2 Ta vs VREG

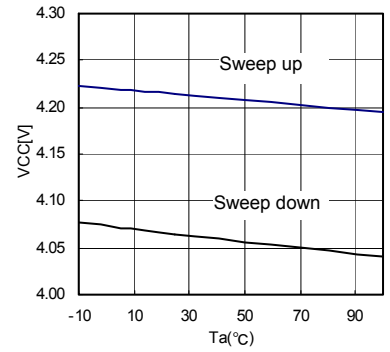


Fig.3 Ta vs UVLO (Vcc)

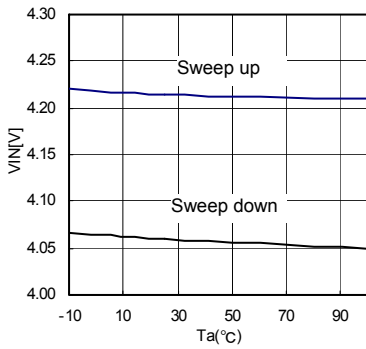


Fig.4 Ta vs UVLO (VIN)

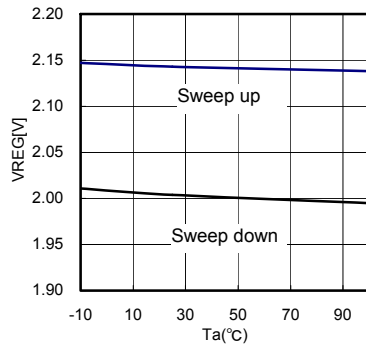


Fig.5 Ta vs UVLO (VREG)

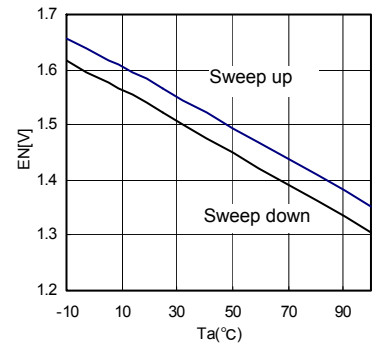


Fig.6 Ta vs EN Threshold

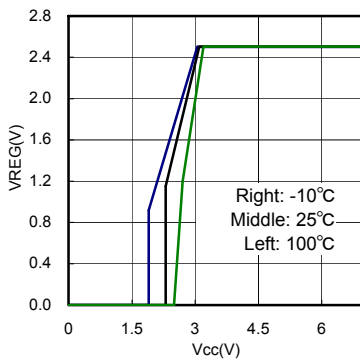


Fig.7 Vcc vs VREG (Start up)

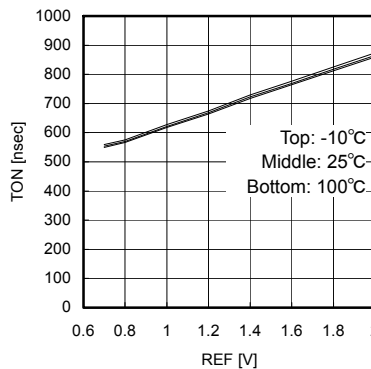


Fig.8 REF vs ON TIME (VIN=7V)

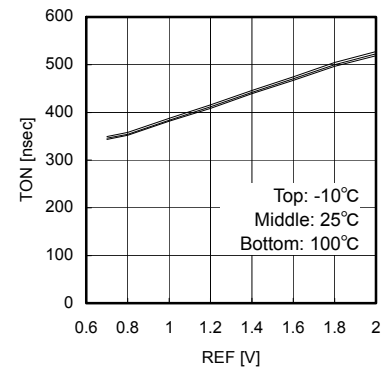


Fig.9 REF vs ON TIME (VIN=12V)

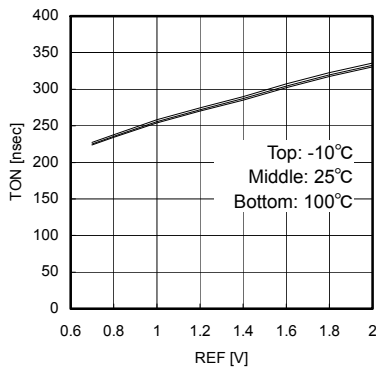


Fig.10 REF-ON TIME (VIN=25V)

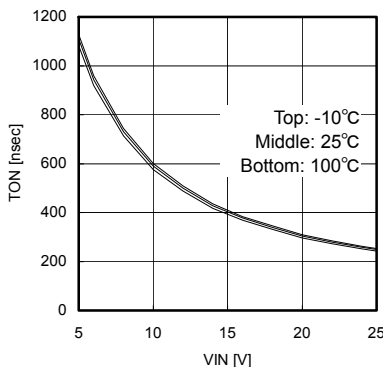


Fig.11 VIN-ON TIME (REF=1.8V)

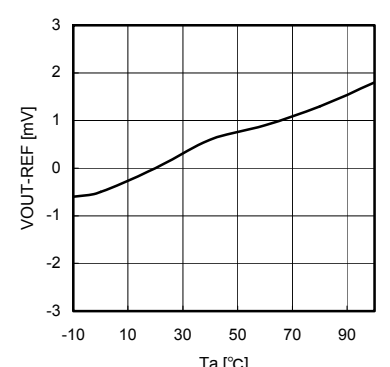


Fig.12 Ta vs VOUT offset

●Reference Data

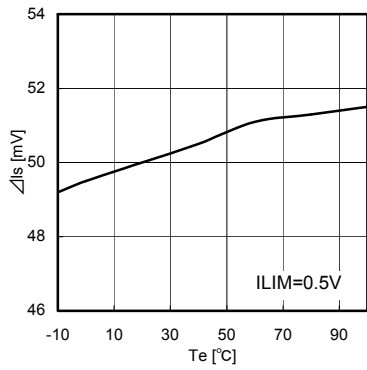


Fig.13  $T_a$  vs current limit threshold

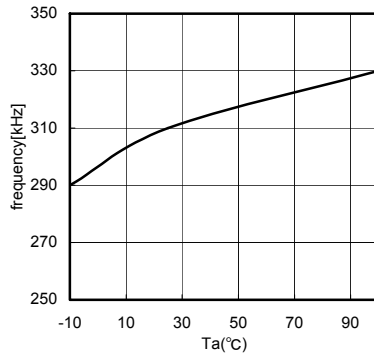


Fig.14  $T_a$  vs Frequency

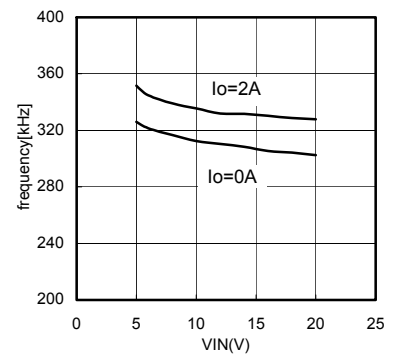


Fig.15  $V_{IN}$  vs Frequency

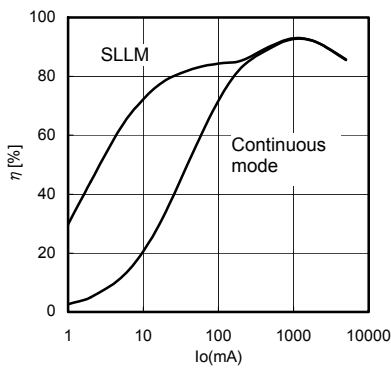


Fig.16  $I_o$  vs Efficiency ( $V_{IN}=7V$ )

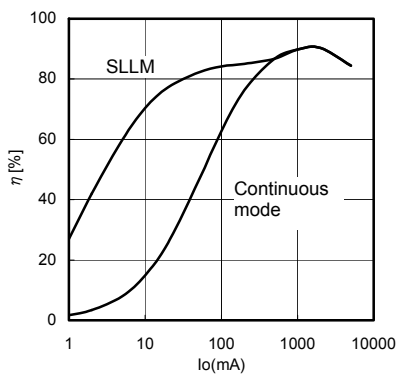


Fig.17  $I_o$  vs Efficiency ( $V_{IN}=12V$ )

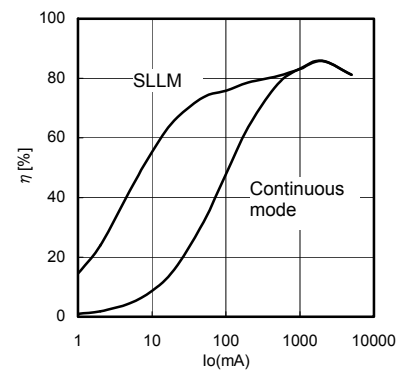


Fig.18  $I_o$  vs Efficiency ( $V_{IN}=20V$ )

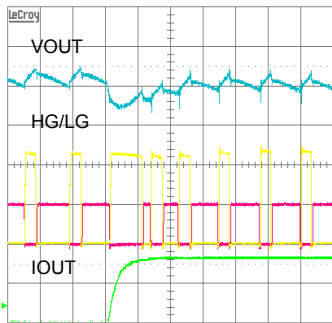


Fig.19 Load Transient Response ( $V_{IN}=7V$ )

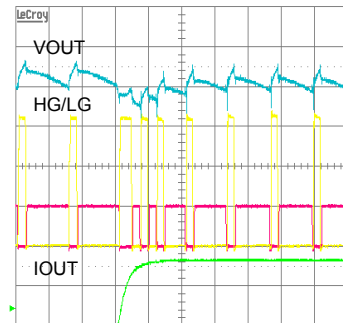


Fig.20 Load Transient Response ( $V_{IN}=12V$ )

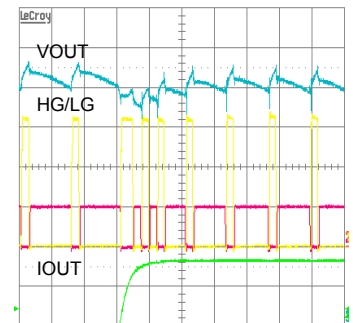


Fig.21 Load Transient Response ( $V_{IN}=19V$ )

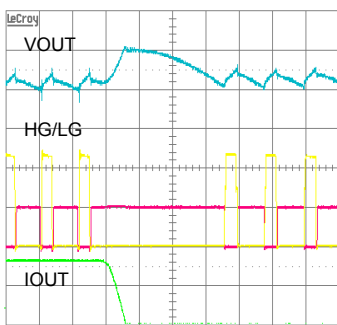


Fig.22 Load Transient Response ( $V_{IN}=7V$ )

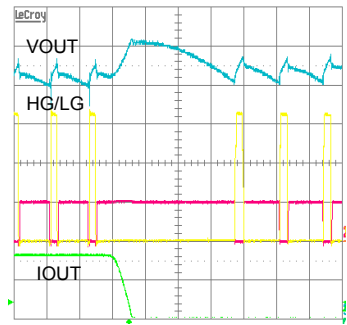


Fig.23 Load Transient Response ( $V_{IN}=12V$ )

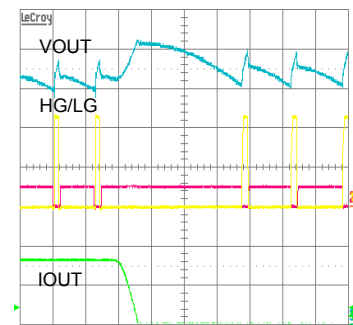


Fig.24 Load Transient Response ( $V_{IN}=19V$ )

●Reference Data

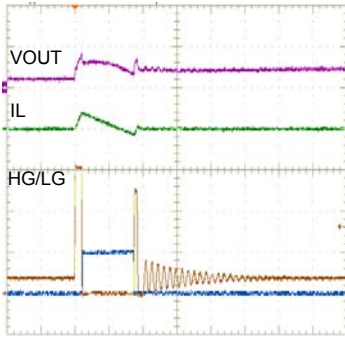


Fig.25 SLLM  
(Iout=0A)

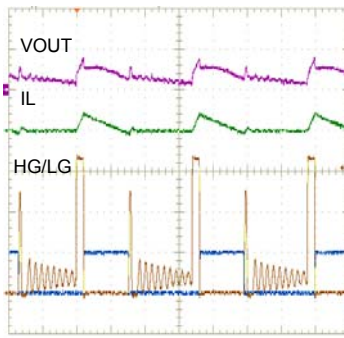


Fig.26 SLLM  
(Iout=0.4A)

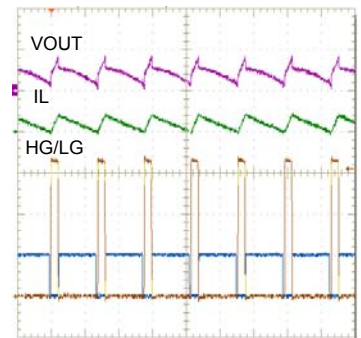


Fig.27 SLLM  
(Iout=1A)

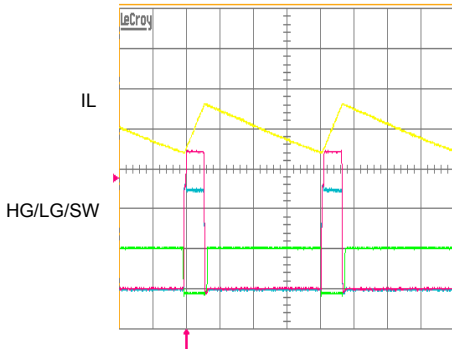


Fig.28 Continuous MODE  
(Io=0A)

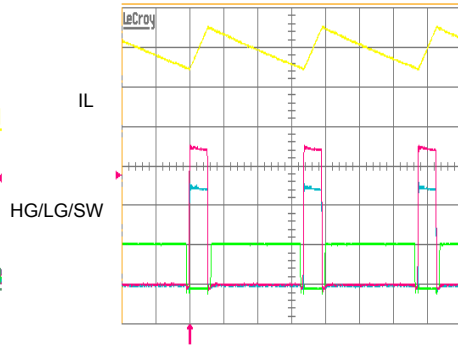


Fig.29 Continuous MODE  
(Io=4A)

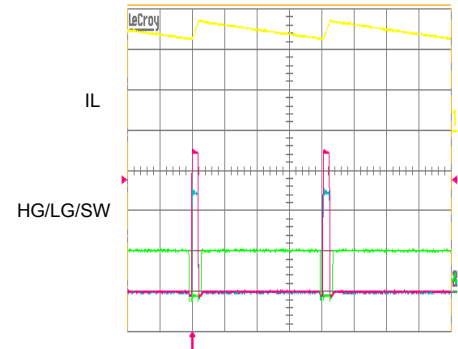


Fig.30 Continuous MODE  
(Io=5A)

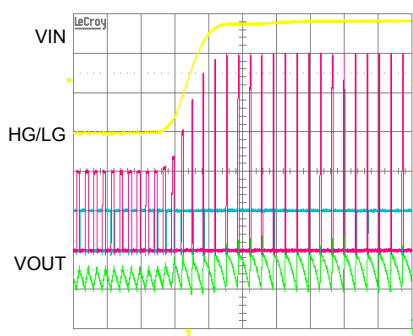


Fig.31 VIN change  
(5→19V)

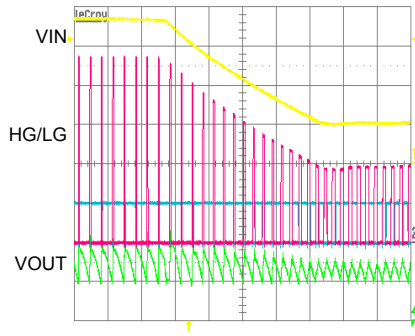


Fig.32 VIN change  
(19→5V)

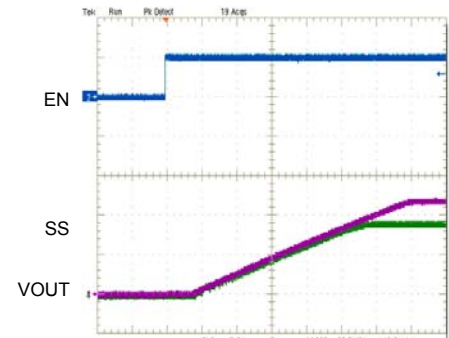


Fig.33 FS VIN wake up

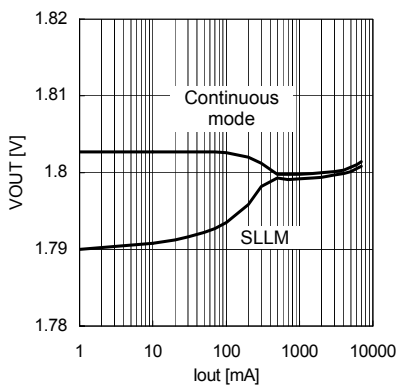


Fig.34 Iout-VOUT

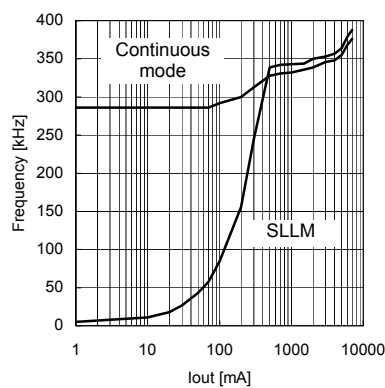


Fig.35 Iout-Frequency

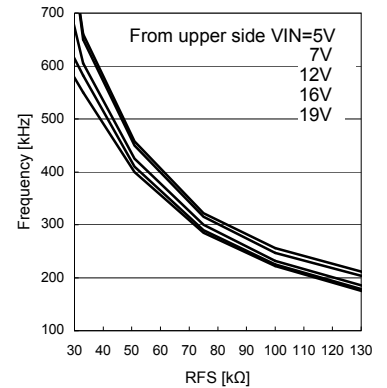
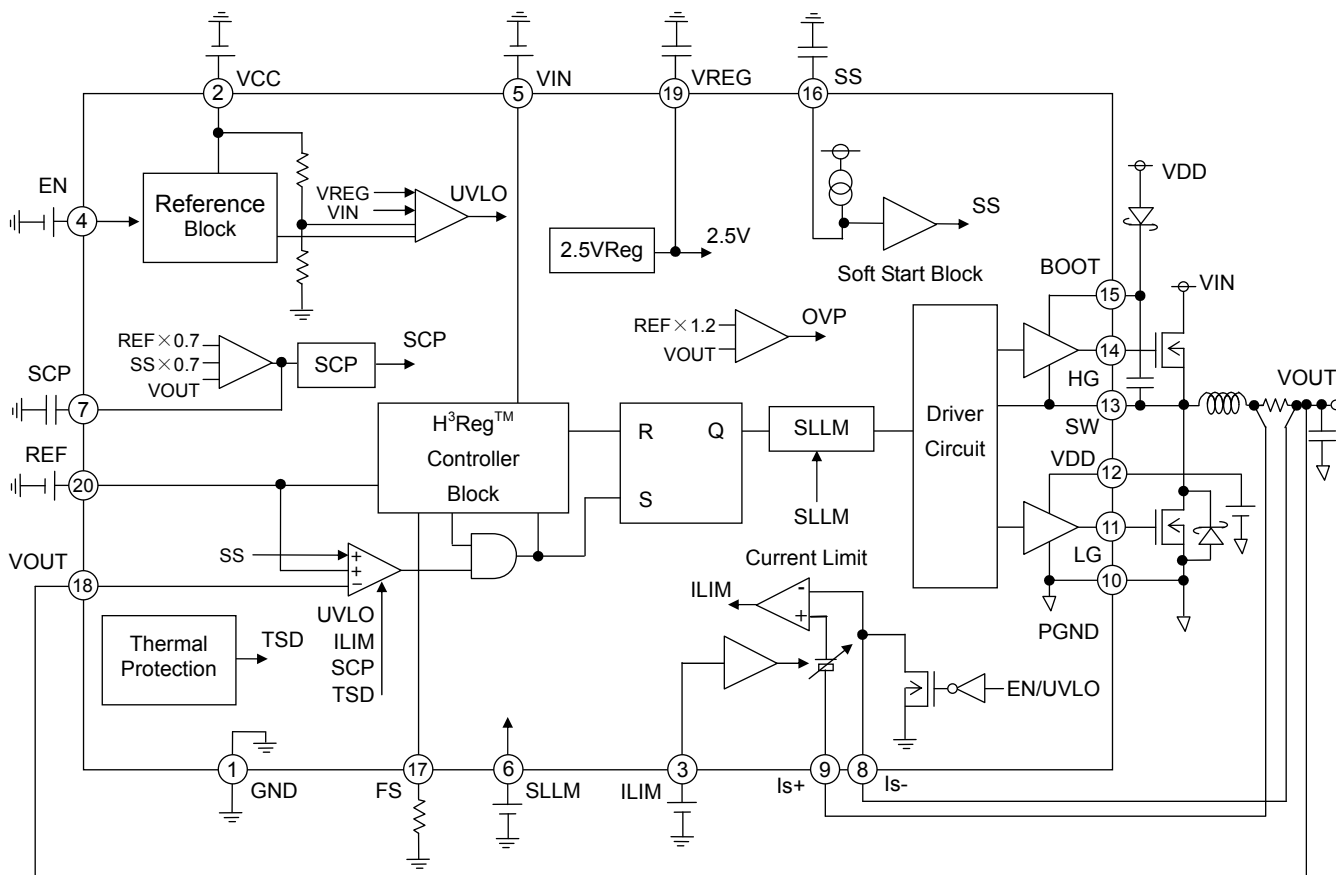
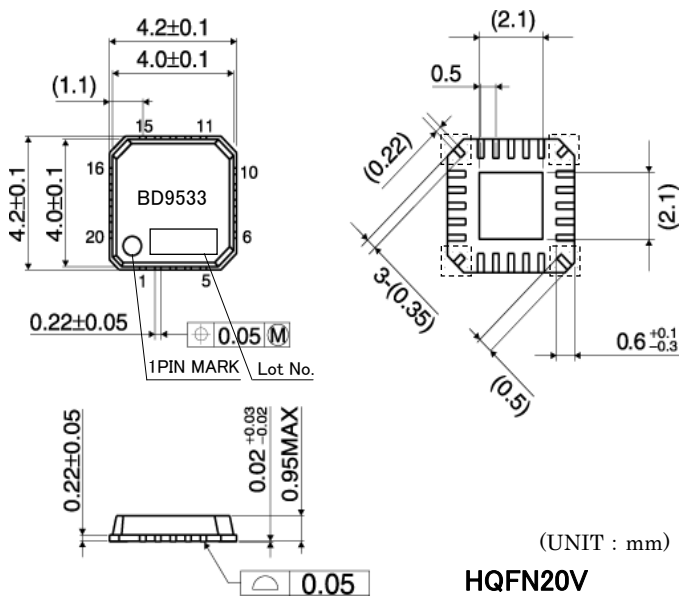


Fig.36 FS resistance- Frequency

●Block Diagram



●PHYSICAL DIMENSIONS



※ Mounting is not recommended to the dotted line part.

●Pin Number · Pin Name

| Pin No. | Pin Name |
|---------|----------|
| 1       | GND      |
| 2       | VCC      |
| 3       | ILIM     |
| 4       | EN       |
| 5       | VIN      |
| 6       | SLLM     |
| 7       | SCP      |
| 8       | IS-      |
| 9       | IS+      |
| 10      | PGND     |
| 11      | LG       |
| 12      | VDD      |
| 13      | SW       |
| 14      | HG       |
| 15      | BOOT     |
| 16      | SS       |
| 17      | FS       |
| 18      | VOUT     |
| 19      | VREG     |
| 20      | REF      |
| -       | FIN      |

Please short FIN to the 1PIN

## ● Pin Descriptions

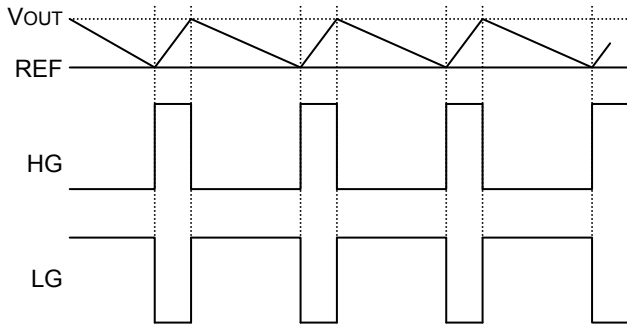
- GND(1pin)  
This is the ground pin for IC internal circuits. It is equivalent to FIN voltage.
- VCC(2pin)  
This is the power supply pin for IC internal circuits, except the FET driver. The maximum circuit current is 900uA. The input supply voltage range is 4.5V to 5.5V. It is recommended that a 0.1uF bypass capacitor be put in this pin.
- ILIM(3pin)  
BD9533EKN detects the voltage between Is+ pin and Is- pin and limits the output current (OCP). Voltage equivalent to 1/10 of the ILIM voltage is the voltage drop of external current sense resistor. A very low current sense resistor or inductor DCR can also be used for this platform.
- EN(4pin)  
When EN pin voltage is at least 2.3V, the status of this switching regulator becomes active. Conversely, the status switches off when EN pin voltage goes lower than 0.8V and circuit current becomes 10uA.
- VIN(5pin)  
The duty cycle is determined by input voltage and output voltage. In other words, the output voltage is affected by input voltage. Therefore, when VIN voltage fluctuates, the output voltage becomes also unstable. Since the VIN line is also the input voltage of the switching regulator, stability depends on the impedance of the voltage supply. It is recommended to establish a bypass capacitor or CR filter suitable for the actual application.
- SLLM(6pin)  
This is the switch shift pin for Simple Light Load Mode. The efficiency in SLLM is improved when SLLM pin voltage goes lower than 0.5V.
- SCP(7pin)  
This is the pin to adjust the timer latch time for short circuit protection. The timer circuit is active when the pin voltage becomes 70% of REF, and the output switches OFF and latched after the specified time. When the UVLO circuit is active or EN is low, this latch function is cancelled.
- Is-(8pin) ,Is+(9pin)  
These pins are connected to both sides of the current sense resistor to detect output current. The voltage drop between Is+ and Is- is compared with the voltage equivalent to 1/10 of ILIM voltage. When this voltage drop reaches the specified voltage level, the output voltage goes OFF.
- PGND(10pin)  
This is the power ground pin connected to the source of the low side FET.
- LG(11pin)  
This is the voltage supply to drive the Gate of the low side FET. This voltage swings between VDD and PGND. High-speed Gate driving for the low side FET is achieved due to the low on-resistance (2 ohm when LG is high, 0.5 ohm when LG is low) of the driver.
- VDD(12pin)  
This is the power supply pin to drive the LOW side FET. It is recommended that a 1uF bypass capacitor be established to compensate for rush current during the FET ON/OFF transition.
- SW(13pin)  
This is the source pin for the high side FET. The maximum absolute ratings are 30V (from GND). SW voltage swings between VIN and GND.
- HG(14pin)  
This is the voltage supply to drive the Gate of the high side FET. This voltage swings between BOOT and SW. High-speed Gate driving for the high side FET is achieved due to the low on-resistance (3 ohm when HG is high, 2 ohm when HG is low) of the driver.
- BOOT(15pin)  
This is the voltage supply to drive the high side FET. The maximum absolute ratings are 35V (from GND) and 7V (from SW). BOOT voltage swings between VIN+Vcc and Vcc during active operation.
- SS(16pin)  
This is the adjustment pin to set the soft start time. SS voltage is low during standby status. When EN is ON, the soft start time can be determined by the SS charge current and capacitor between SS-GND. Until SS reaches REF voltage, the output voltage is equivalent to SS voltage.
- FS(17pin)  
This is the pin to adjust the switching frequency based on the resistor value. The frequency range is  $f=200\text{KHz} - 600\text{KHz}$ .
- VOUT(18pin)  
This is the output voltage sense pin. It is also possible to adjust the output voltage using external resistor divider based on the equation,  $\text{REF} \cong \text{VOUT}$ .
- VREG(19pin)  
This is the reference voltage output pin. The voltage is 2.5V, with 100uA current ability. It is recommended that a 1uF capacitor (X5R or X7R) be established between VREG and GND. When REF is not adjusted from the external voltage supply, the REF voltage can be adjusted using the external resistor divider of VREF.
- REF(20pin)  
This is the output voltage adjustment pin. It is very convenient for synchronizing external voltage supply. The IC controls the output voltage ( $\text{REF} \cong \text{VOUT}$ ).



●Explanation of Operation

The BD9533EKN is a synchronous buck regulator controller incorporating ROHM's proprietary H<sup>3</sup>Reg™ CONTROLLA control system. When V<sub>OUT</sub> drops due to a rapid load change, the system quickly restores V<sub>OUT</sub> by extending the T<sub>ON</sub> time interval. Thus, it serves to improve the regulator's transient response. Activating the Light Load Mode will also exercise Simple Light Load Mode (SLLM) control when the load is light, to further increase efficiency.

H<sup>3</sup>Reg™ control  
(Normal operation)

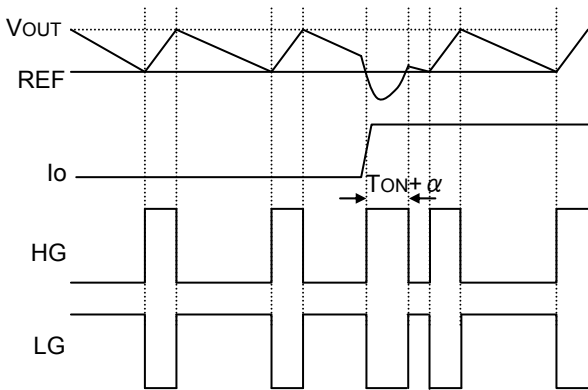


When V<sub>OUT</sub> falls to a threshold voltage (REF), the drop is detected, activating the H<sup>3</sup>Reg™ CONTROLLA system.

$$T_{ON} = \frac{REF}{V_{IN}} \times \frac{1}{f} \text{ [sec]} \dots (1)$$

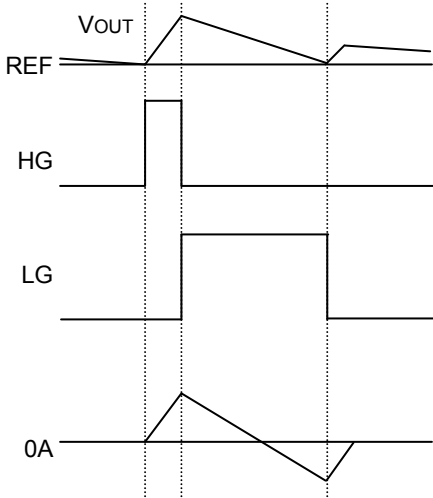
HG output is determined with the formula above. LG outputs until the status of V<sub>OUT</sub> is lower than REF after the status of HG is off.

(V<sub>OUT</sub> drops due to a rapid load change)



When V<sub>OUT</sub> drops due to a rapid load change, and the voltage remains below REF after the programmed T<sub>ON</sub> time interval has elapsed, the system quickly restores V<sub>OUT</sub> by extending the T<sub>ON</sub> time, improving the transient response.

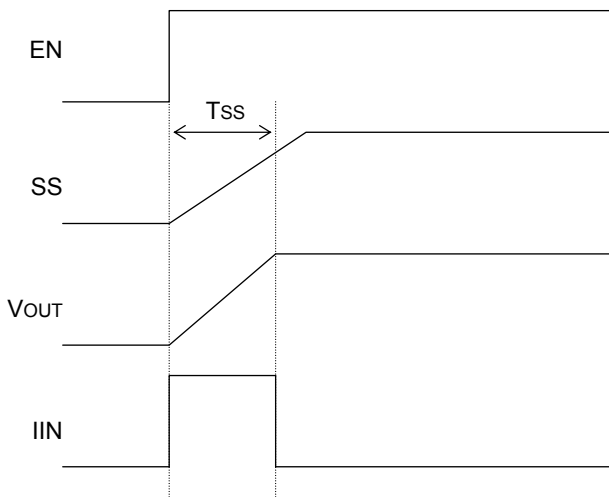
(SLLM)



In SLLM (SLLM=0V), SLLM function is operated when LG pin is OFF and the coil current is lower than 0A (the current goes from V<sub>OUT</sub> to SW). And it stops to output next HG.

When V<sub>OUT</sub> goes lower than REF voltage again, the status of HG is ON.

- Timing Chart
- Soft Start Function



Soft start is exercised with the EN pin set high. Current control takes effect at startup, enabling a moderate output voltage “ramping start.” Soft start timing and incoming current are calculated with formulas (2) and (3) below.

Soft start time

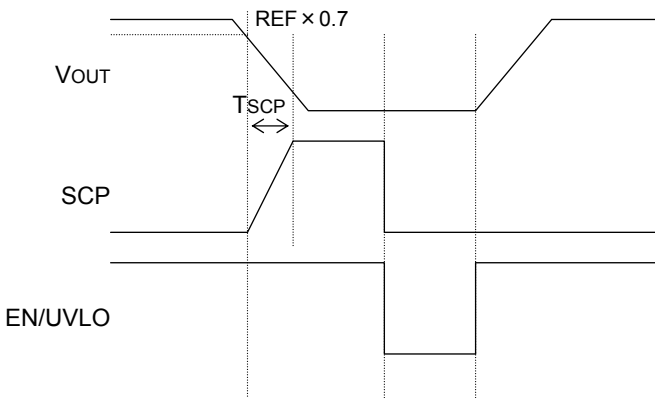
$$T_{ss} = \frac{REF \times C_{ss}}{2 \mu A (typ)} \text{ [sec]} \dots (2)$$

Incoming current

$$I_{IN} = \frac{C_o \times V_{OUT}}{T_{ss}} \text{ [A]} \dots (3)$$

(C<sub>ss</sub>: Soft start capacitor; C<sub>o</sub>: Output capacitor)

- Timer Latch Type Short Circuit Protection

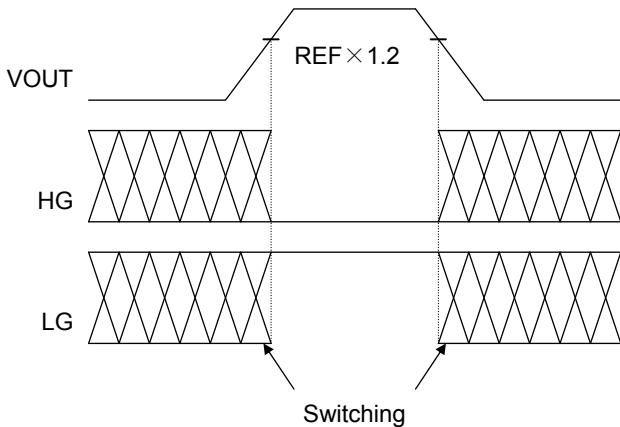


Short protection kicks in when output falls to or below REF X 0.7. When the programmed time period elapses, output is latched OFF to prevent destruction of the IC. Output voltage can be restored either by reconnecting the EN pin or disabling UVLO. Short circuit protection time is programmed using formula (4) below.

Short protection time setting

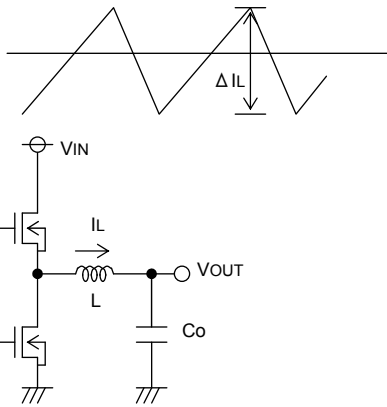
$$T_{scp} = \frac{1.25(V) \times C_{SCP}}{2 \mu A (typ)} \text{ [sec]} \dots (4)$$

- Over Voltage Protection



●External Component Selection

1. Inductor (L) selection



Output ripple current

The inductor value is a major influence on the output ripple current. As formula (5) below indicates, the greater the inductor or the switching frequency, the lower the ripple current.

$$\Delta I_L = \frac{(V_{IN}-V_{OUT}) \times V_{OUT}}{\Delta I_L \times V_{IN} \times f} [A] \dots (5)$$

The proper output ripple current setting is about 30% of maximum output current.

$$\Delta I_L = 0.3 \times I_{OUTmax} [A] \dots (6)$$

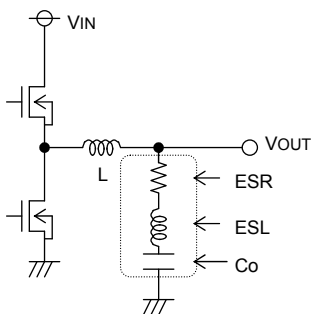
$$L = \frac{(V_{IN}-V_{OUT}) \times V_{OUT}}{\Delta I_L \times V_{IN} \times f} [H] \dots (7)$$

( $\Delta I_L$ : output ripple current; f: switch frequency)

※Passing a current larger than the inductor's rated current will cause magnetic saturation in the inductor and decrease system efficiency. In selecting the inductor, be sure to allow enough margin to assure that peak current does not exceed the inductor rated current value.

※To minimize possible inductor damage and maximize efficiency, choose a inductor with a low (DCR, ACR) resistance.

2. Output Capacitor (Co) Selection



Output capacitor

When determining the proper output capacitor, be sure to factor in the equivalent series resistance required to smooth out ripple volume and maintain a stable output voltage range.

Output ripple voltage is determined as in formula (8) below.

$$\Delta V_{OUT} = \Delta I_L \times ESR + ESL \times \Delta I_L / T_{ON} [V] \dots (8)$$

( $\Delta I_L$ : Output ripple current; ESR: Co equivalent series resistance, ESL: equivalent series inductance)

※ In selecting a capacitor, make sure the capacitor rating allows sufficient margin relative to output voltage. Note that a lower ESR can minimize output ripple voltage.

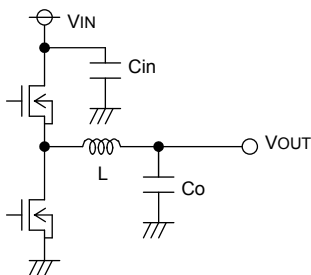
Please give due consideration to the conditions in formula (9) below for output capacity, bearing in mind that output rise time must be established within the soft start time frame.

$$C_o \leq \frac{T_{ss} \times (\text{Limit} - I_{OUT})}{V_{OUT}} \dots (9)$$

T<sub>ss</sub>: Soft start time  
Limit: Over current detection

Note: Improper capacitor may cause startup malfunctions.

3. Input Capacitor (Cin) Selection



Input Capacitor

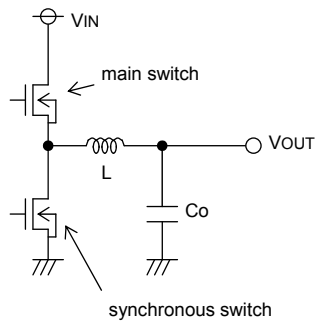
The input capacitor selected must have low enough ESR resistance to fully support large ripple output, in order to prevent extreme over current. The formula for ripple current IRMS is given in (10) below.

$$I_{RMS} = I_{OUT} \times \frac{\sqrt{V_{OUT}(V_{IN}-V_{OUT})}}{V_{IN}} [A] \dots (10)$$

Where  $V_{CC} = 2 \times V_{OUT}$ ,  $I_{RMS} = \frac{I_{OUT}}{2}$

A low ESR capacitor is recommended to reduce ESR loss and maximize efficiency.

#### 4. MOSFET Selection



Loss on the main MOSFET

$$P_{main} = P_{RON} + P_{GATE} + P_{TRAN}$$

$$= \frac{V_{OUT}}{V_{IN}} \times R_{ON} \times I_{OUT}^2 + C_{iss} \times f \times V_{DD} + \frac{V_{IN}^2 \times C_{rss} \times I_{OUT} \times f}{I_{DRIVE}} \dots (11)$$

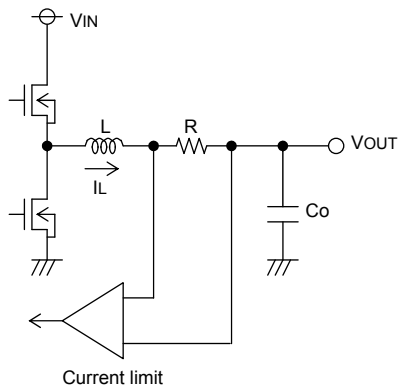
( $R_{ON}$ : On-resistance of FET;  $C_{iss}$ : FET gate capacity;  
 $f$ : Switching frequency  $C_{rss}$ : FET inverse transfer function;  
 $I_{DRIVE}$ : Gate peak current)

Loss on the synchronous MOSFET

$$P_{syn} = P_{RON} + P_{GATE}$$

$$= \frac{V_{IN} - V_{OUT}}{V_{IN}} \times R_{ON} \times I_{OUT}^2 + C_{iss} \times f \times V_{DD} \dots (12)$$

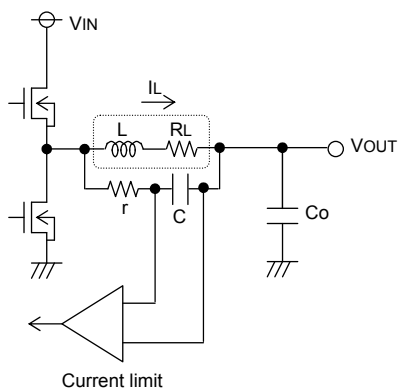
#### 5. Setting Detection Resistance



The over current protection function detects the output ripple current peak value. This parameter (setting value) is determined as in formula (13) below.

$$I_{LIMIT} = \frac{V_{ILIM} \times 0.1}{R} [A] \dots (13)$$

( $V_{ILIM}$ :  $I_{LIM}$  voltage;  $R$ : Detection resistance)



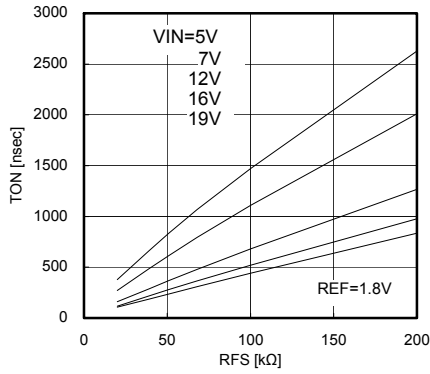
When the over current protection is detected by DCR of coil L, this parameter (setting value) is determined as in formula (14) below.  
 (Application circuit: P20)

$$I_{LIMIT} = V_{ILIM} \times 0.1 \times \frac{r \times C}{L} [A] \dots (14)$$

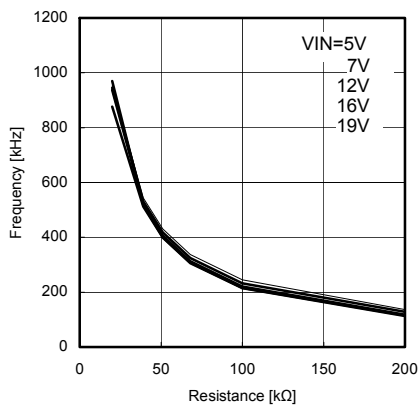
$$(R_L = \frac{L}{r \times C})$$

( $V_{ILIM}$ :  $I_{LIM}$  voltage  $R_L$ : the DCR value of coil)

## 6. Setting frequency



↓  
Calculated frequency using TON above



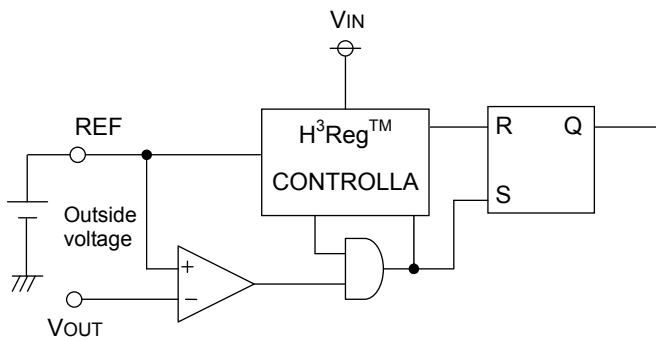
On Time (TON) at steady state is determined by resistance value connected to FS pin as shown in the figure. The frequency can be calculated with TON, input voltage VIN, the reference voltage REF as follows.

$$F = \frac{REF}{VIN \times TON} \dots (15)$$

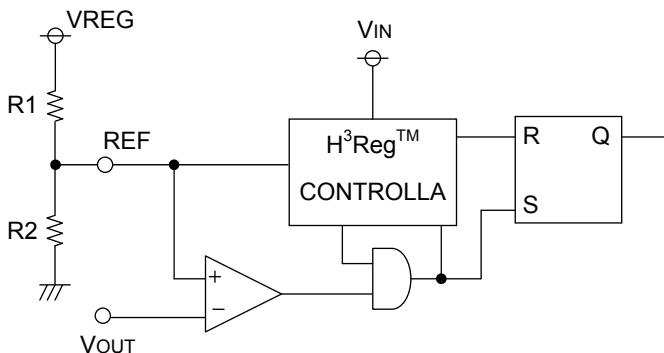
However, the actual frequency becomes lower than the formula due to expanded TON time caused by the rise/fall time of the MOSFET (This rise/fall time is affected by the switching speed). TON is also influenced by Dead Time under light load in continuous mode. In this case the frequency becomes lower than setting frequency.

The setting frequency noted above is under heavy load (when the inductor current does not go back to VIN through the body diodes of the external MOSFET's).

## 7. Setting standard voltage (REF)



It is available to synchronize setting the reference voltage (REF) with outside supply voltage [V] by using outside power supply voltage.



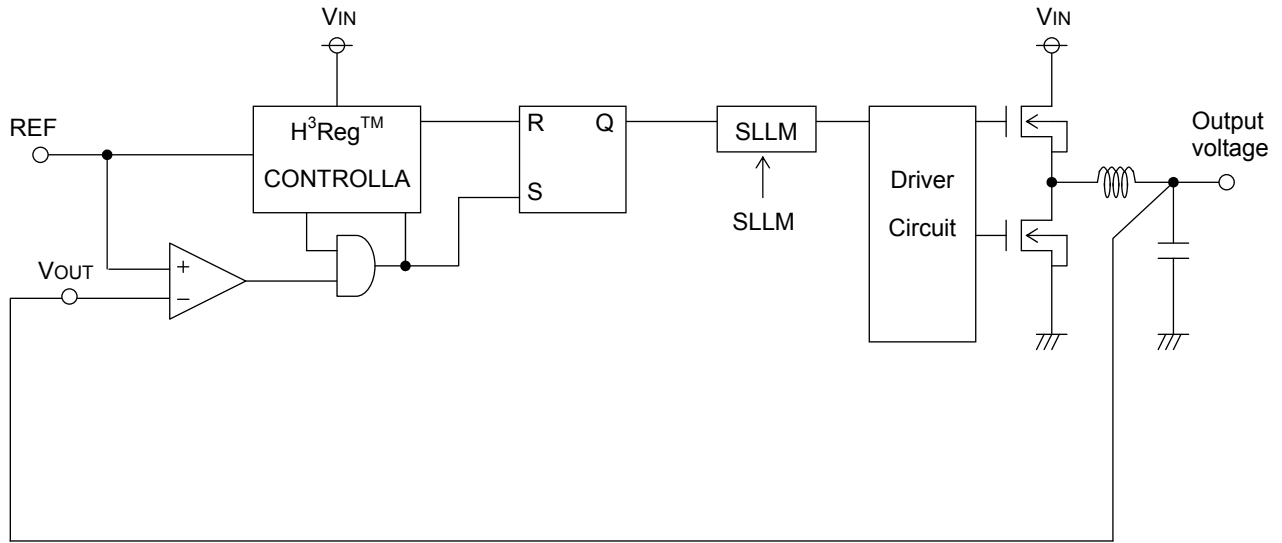
It is available to set the reference voltage (REF) by the resistance division value from VREG in case it is not set REF from an external power supply.

$$REF = \frac{R2}{R1+R2} \times VREG [V] \dots (16)$$

### 8. Setting output voltage

This IC is operated that output voltage is  $REF \cong VOUT$ .

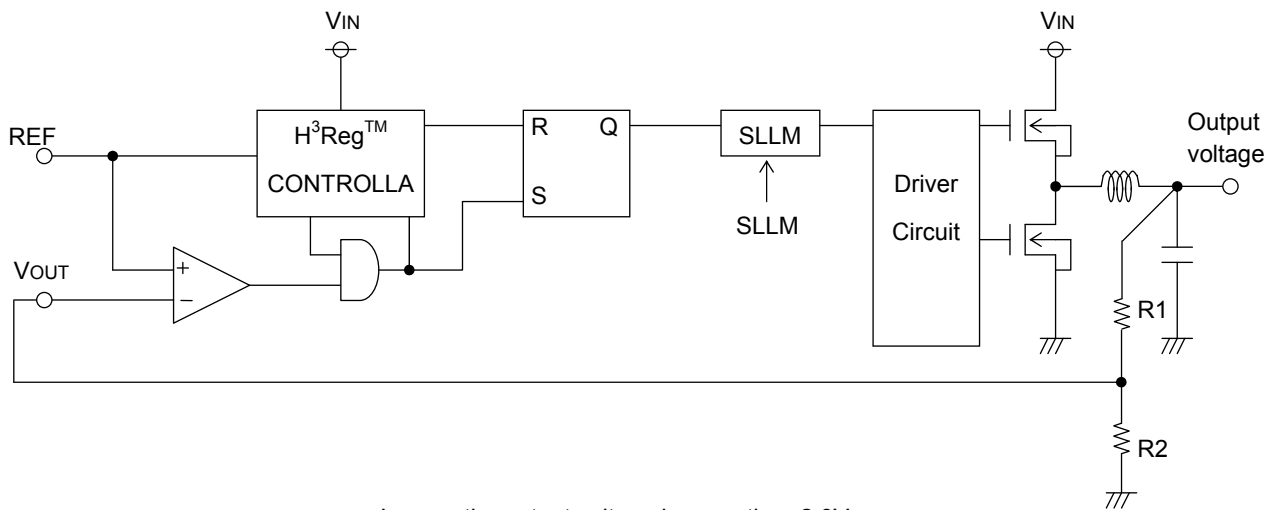
And it is operated that output voltage is feed back to FB pin in case the output voltage is 0.7V to 2.0V.



In case the output voltage range is 0.7V to 2.0V.

It is operated that the resistance division value of the output voltage is feed back to  $VOUT$  pin in case the output voltage is more than 2.0V.

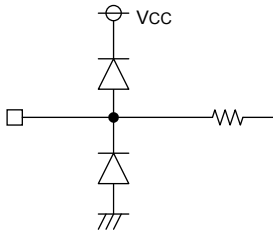
$$\text{output voltage} \cong \frac{R1+R2}{R2} \times REF [V] \cdot \cdot \cdot (17)$$



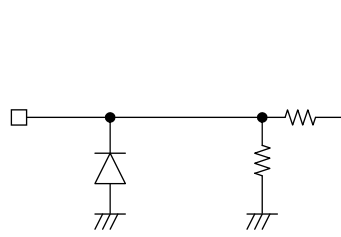
In case the output voltage is more than 2.0V.

•I/O Equivalent Circuit

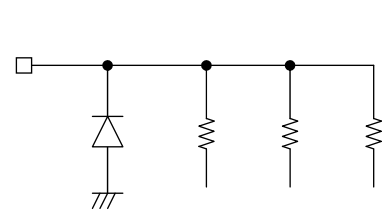
3pin (ILIM)



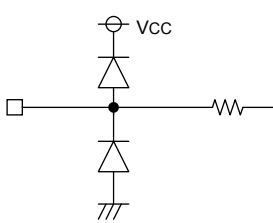
4pin (EN)



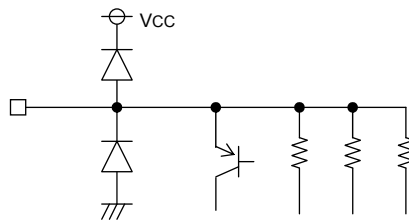
5pin (VIN)



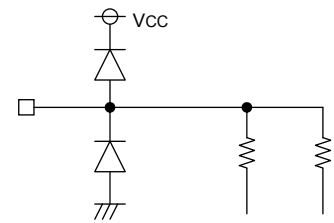
6pin (SLLM)



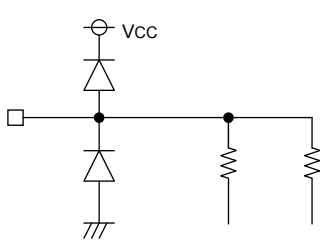
7pin (SCP)



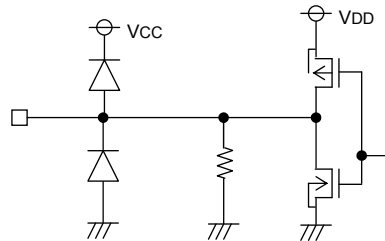
8pin (Is-)



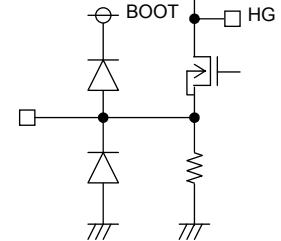
9pin (Is+)



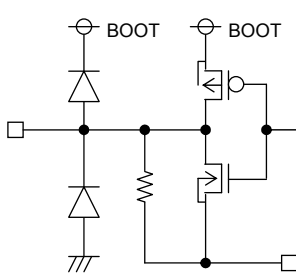
11pin (LG)



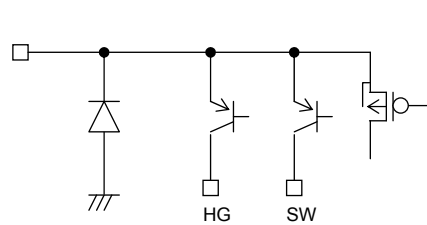
13pin (SW)



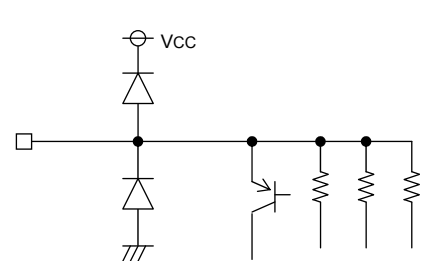
14pin(HG)



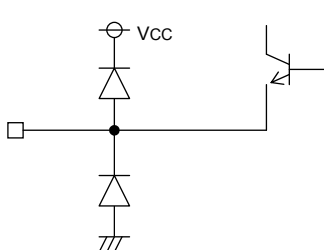
15pin (BOOT)



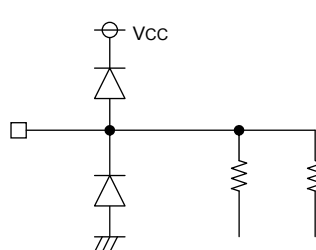
16pin (SS)



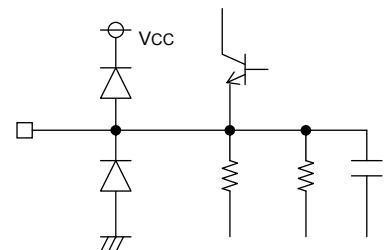
17pin (FS)



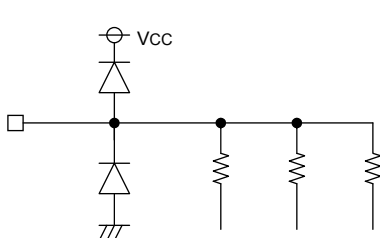
18pin (VOUT)



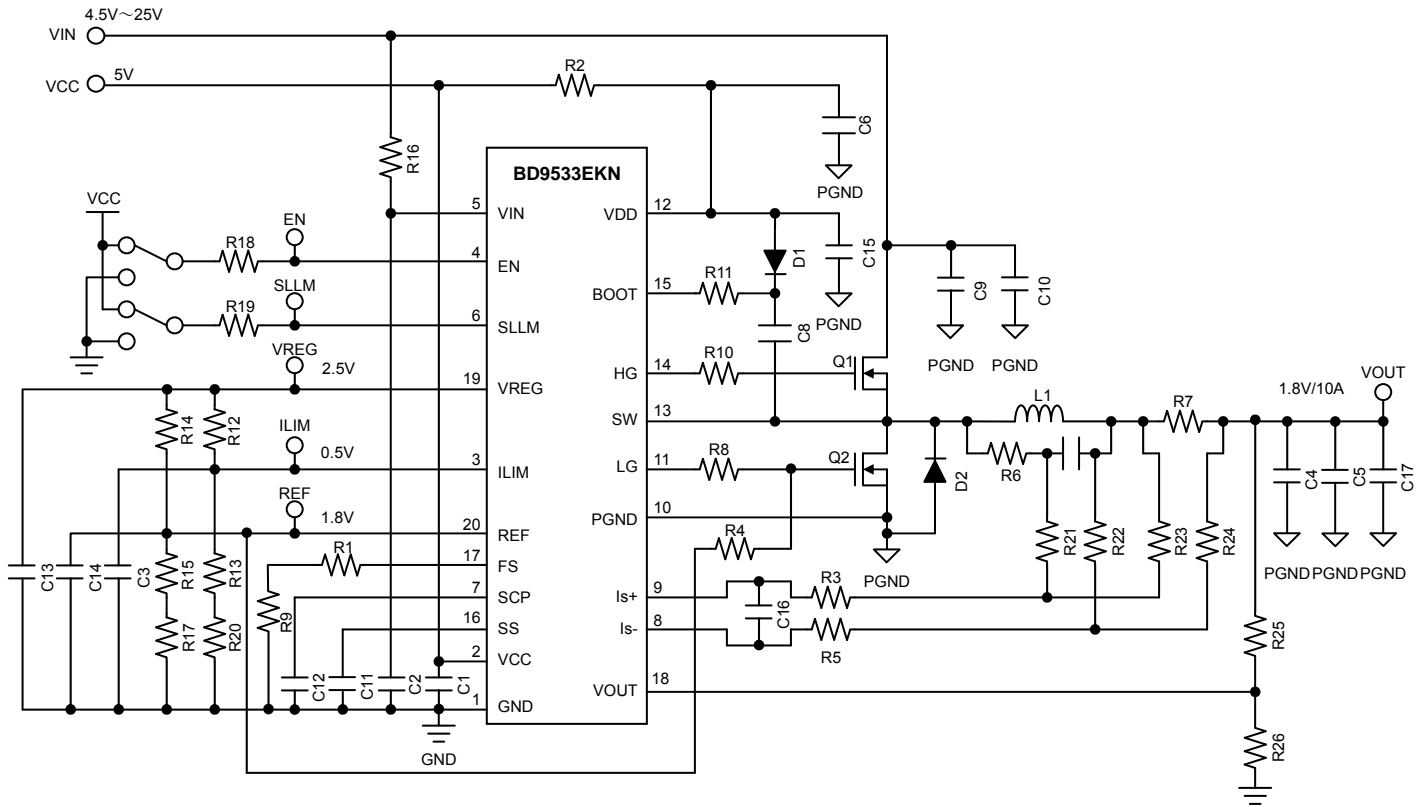
19pin (VREG)



20pin (REF)



●Evaluation Board Circuit (Frequency=300kHz application circuit in Continuous mode/SLLM)

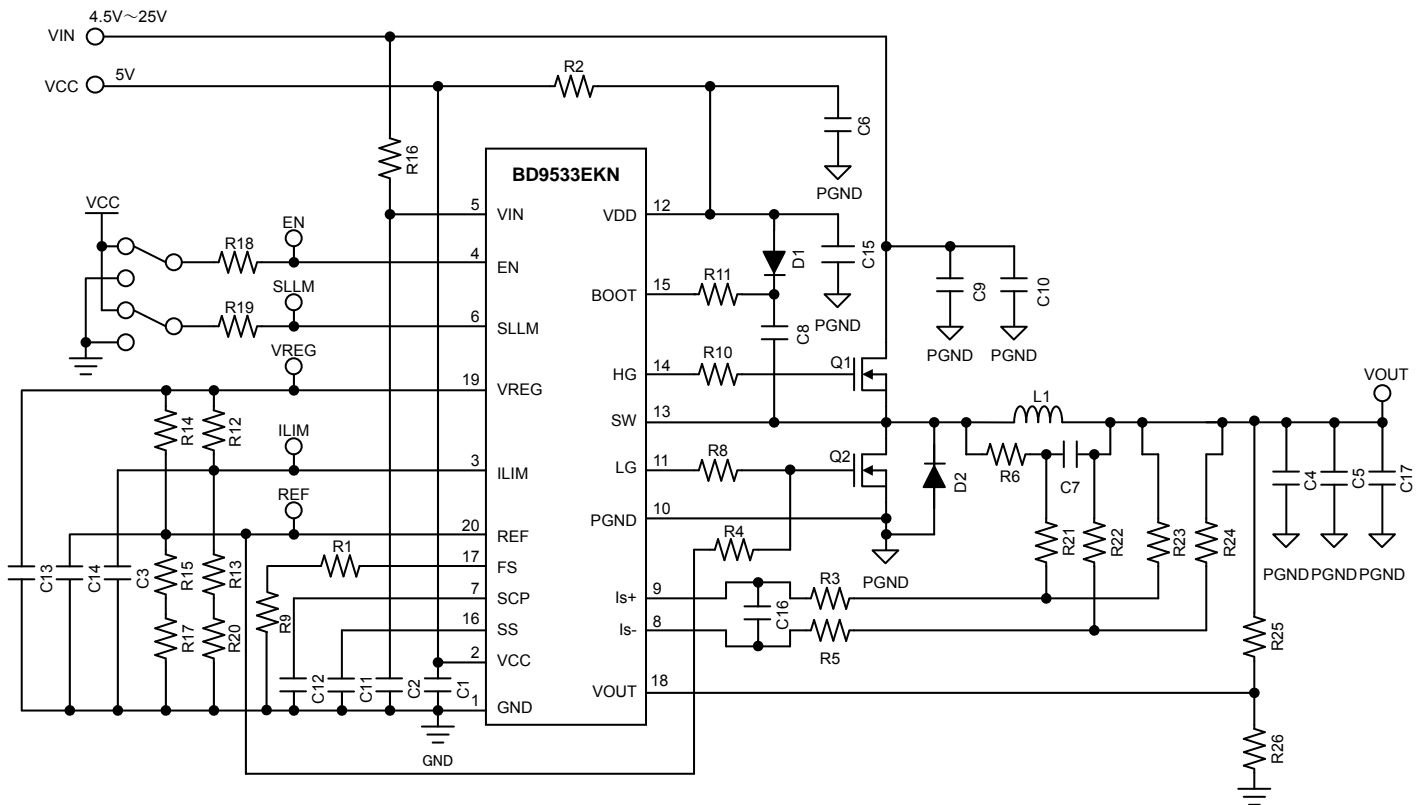


| Part No | Value  | Company | Part name      |
|---------|--------|---------|----------------|
| U1      |        | ROHM    | BD9533EKN      |
| Q1      |        | ROHM    | RSS100N03      |
| Q2      |        | ROHM    | RSS100N03      |
| D1      |        | ROHM    | RB521S-30      |
| D2      |        | ROHM    | RB051L-40      |
| C1      | 1uF    | KYOCERA | CM105B105K06A  |
| C2      | 10nF   | MURATA  | GRM39X7R103K50 |
| C3      | 100pF  | MURATA  | GRM39C0G101J50 |
| C4      |        |         |                |
| C5      |        |         |                |
| C6      | 10uF   | KYOCERA | CM21B106K06    |
| C7      |        |         |                |
| C8      | 0.1uF  | KYOCERA | CM05B104K25A   |
| C9      | 10uF   | KYOCERA | CM316B106M16A  |
| C10     | 10uF   | KYOCERA | CM316B106M16A  |
| C11     | 1000pF | MURATA  | GRM39X7R102K50 |
| C12     | 1500pF | MURATA  | GRM39X7R152K50 |
| C13     | 1uF    | KYOCERA | CM105B105K06A  |
| C14     |        |         |                |
| C15     | 10uF   | KYOCERA | CM21B106M06A   |
| C16     |        |         |                |
| C17     | 470uF  | SANYO   | 2R5TPE470ML    |
| R1      | 68KΩ   | ROHM    | MCR03          |
| R2      | 0Ω     | ROHM    | MCR03          |
| R3      | 0Ω     | ROHM    | MCR03          |

| Part No | Value | Company | Part name     |
|---------|-------|---------|---------------|
| R4      |       |         |               |
| R5      | 0Ω    | ROHM    | MCR03         |
| R6      |       |         |               |
| R7      | 5mΩ   | ROHM    | PMR100        |
| R8      | 0Ω    | ROHM    | MCR03         |
| R9      | 0Ω    | ROHM    | MCR03         |
| R10     | 0Ω    | ROHM    | MCR03         |
| R11     | 0Ω    | ROHM    | MCR03         |
| R12     | 200kΩ | ROHM    | MCR03         |
| R13     | 51kΩ  | ROHM    | MCR03         |
| R14     | 68kΩ  | ROHM    | MCR03         |
| R15     | 180kΩ | ROHM    | MCR03         |
| R16     | 1kΩ   | ROHM    | MCR03         |
| R17     | 0Ω    | ROHM    | MCR03         |
| R18     | 10kΩ  | ROHM    | MCR03         |
| R19     | 10kΩ  | ROHM    | MCR03         |
| R20     | 0Ω    | ROHM    | MCR03         |
| R21     |       |         |               |
| R22     |       |         |               |
| R23     | 0Ω    | ROHM    | MCR03         |
| R24     | 0Ω    | ROHM    | MCR03         |
| R25     | 0Ω    | ROHM    | MCR03         |
| R26     |       |         |               |
| L1      | 1.8uH | SUMIDA  | CDEP104-1R8ML |



●Evaluation Board Circuit (Frequency=300kHz application circuit for detecting DCR current in Continuous mode/SLLM)



●Evaluation Board Parts List

| Part No | Value  | Company | Part name      |
|---------|--------|---------|----------------|
| U1      |        | ROHM    | BD9533EKN      |
| Q1      |        | ROHM    | RSS100N03      |
| Q2      |        | ROHM    | RSS100N03      |
| D1      |        | ROHM    | RB521S-30      |
| D2      |        | ROHM    | RB051L-40      |
| C1      | 1uF    | KYOCERA | CM105B105K06A  |
| C2      | 10nF   | MURATA  | GRM39X7R103K50 |
| C3      | 100pF  | MURATA  | GRM39C0G101J50 |
| C4      |        |         |                |
| C5      |        |         |                |
| C6      | 10uF   | KYOCERA | CM21B106K06    |
| C7      | 0.1uF  | KYOCERA | CM05B104K25A   |
| C8      | 0.1uF  | KYOCERA | CM05B104K25A   |
| C9      | 10uF   | KYOCERA | CM316B106M16A  |
| C10     | 10uF   | KYOCERA | CM316B106M16A  |
| C11     | 1000pF | MURATA  | GRM39X7R102K50 |
| C12     | 1500pF | MURATA  | GRM39X7R152K50 |
| C13     | 1uF    | KYOCERA | CM105B105K06A  |
| C14     |        |         |                |
| C15     | 10uF   | KYOCERA | CM21B106M06A   |
| C16     |        |         |                |
| C17     | 330uF  | SANYO   | 6TPB330M       |
| R1      | 68KΩ   | ROHM    | MCR03          |
| R2      | 0Ω     | ROHM    | MCR03          |
| R3      | 0Ω     | ROHM    | MCR03          |

| Part No | Value | Company   | Part name    |
|---------|-------|-----------|--------------|
| R4      |       |           |              |
| R5      | 0Ω    | ROHM      | MCR03        |
| R6      | 1kΩ   | ROHM      | MCR03        |
| R7      |       |           |              |
| R8      | 0Ω    | ROHM      | MCR03        |
| R9      | 0Ω    | ROHM      | MCR03        |
| R10     | 0Ω    | ROHM      | MCR03        |
| R11     | 0Ω    | ROHM      | MCR03        |
| R12     | 51kΩ  | ROHM      | MCR03        |
| R13     | 200kΩ | ROHM      | MCR03        |
| R14     | 68kΩ  | ROHM      | MCR03        |
| R15     | 180kΩ | ROHM      | MCR03        |
| R16     | 1kΩ   | ROHM      | MCR03        |
| R17     | 0Ω    | ROHM      | MCR03        |
| R18     | 10kΩ  | ROHM      | MCR03        |
| R19     | 10kΩ  | ROHM      | MCR03        |
| R20     | 0Ω    | ROHM      | MCR03        |
| R21     | 0Ω    | ROHM      | MCR03        |
| R22     | 0Ω    | ROHM      | MCR03        |
| R23     |       |           |              |
| R24     |       |           |              |
| R25     | 0Ω    | ROHM      | MCR03        |
| R26     |       |           |              |
| L1      | 3.3uH | NEC/TOKIN | MPLC0730L3R3 |

●Operation Notes

1. Absolute maximum ratings

An excess in the absolute maximum ratings, such as supply voltage, temperature range of operating conditions, etc., can break down the devices, thus making impossible to identify breaking mode, such as a short circuit or an open circuit. If any over rated values will expect to exceed the absolute maximum ratings, consider adding circuit protection devices, such as fuses.

2. Connecting the power supply connector backward

Connecting of the power supply in reverse polarity can damage IC. Take precautions when connecting the power supply lines. An external direction diode can be added.

3. Power supply lines

Design PCB layout pattern to provide low impedance GND and supply lines. To obtain a low noise ground and supply line, separate the ground section and supply lines of the digital and analog blocks. Furthermore, for all power supply terminals to ICs, connect a capacitor between the power supply and the GND terminal. When applying electrolytic capacitors in the circuit, not that capacitance characteristic values are reduced at low temperatures.

4. GND voltage

The potential of GND pin must be minimum potential in all operating conditions.

5. Thermal design

Use a thermal design that allows for a sufficient margin in light of the power dissipation (Pd) in actual operating conditions.

6. Inter-pin shorts and mounting errors

Use caution when positioning the IC for mounting on printed circuit boards. The IC may be damaged if there is any connection error or if pins are shorted together.

7. Actions in strong electromagnetic field

Use caution when using the IC in the presence of a strong electromagnetic field as doing so may cause the IC to malfunction.

8. ASO

When using the IC, set the output transistor so that it does not exceed absolute maximum ratings or ASO.

9. Thermal shutdown circuit

The IC incorporates a built-in thermal shutdown circuit (TSD circuit). The thermal shutdown circuit (TSD circuit) is designed only to shut the IC off to prevent thermal runaway. It is not designed to protect the IC or guarantee its operation. Do not continue to use the IC after operating this circuit or use the IC in an environment where the operation of this circuit is assumed.

|           | TSD on temperature [°C] (typ.) | Hysteresis temperature [°C] (typ.) |
|-----------|--------------------------------|------------------------------------|
| BD9533EKN | 175                            | 15                                 |

10. Testing on application boards

When testing the IC on an application board, connecting a capacitor to a pin with low impedance subjects the IC to stress. Always discharge capacitors after each process or step. Always turn the IC's power supply off before connecting it to or removing it from a jig or fixture during the inspection process. Ground the IC during assembly steps as an antistatic measure. Use similar precaution when transporting or storing the IC.

### 11. Regarding input pin of the IC

This monolithic IC contains P+ isolation and P substrate layers between adjacent elements in order to keep them isolated. P-N junctions are formed at the intersection of these P layers with the N layers of other elements, creating a parasitic diode or transistor. For example, the relation between each potential is as follows:

When  $GND > Pin A$  and  $GND > Pin B$ , the P-N junction operates as a parasitic diode.

When  $GND > Pin B$ , the P-N junction operates as a parasitic transistor.

Parasitic diodes can occur inevitable in the structure of the IC. The operation of parasitic diodes can result in mutual interference among circuits, operational faults, or physical damage. Accordingly, methods by which parasitic diodes operate, such as applying a voltage that is lower than the GND (P substrate) voltage to an input pin, should not be used.

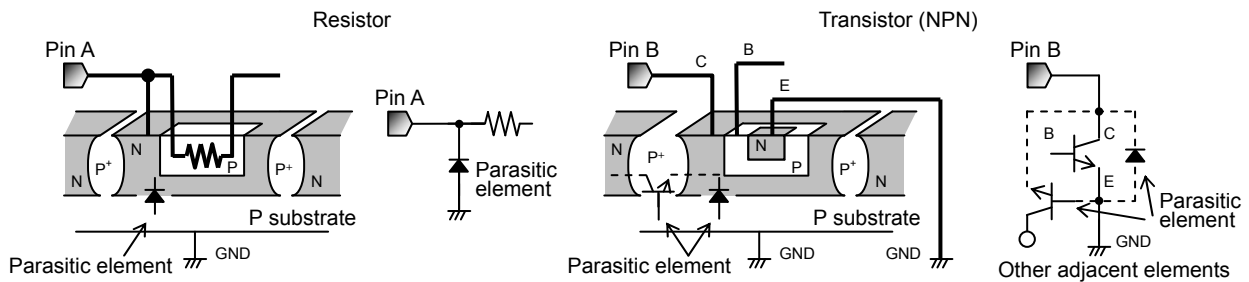
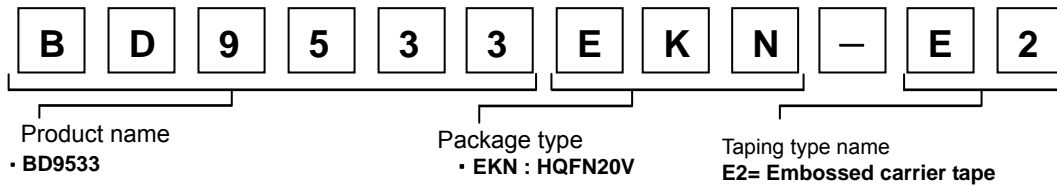


Fig. 37 Example of IC structure

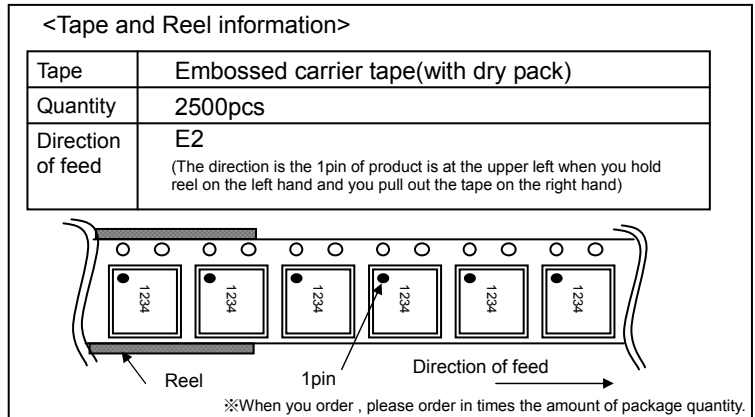
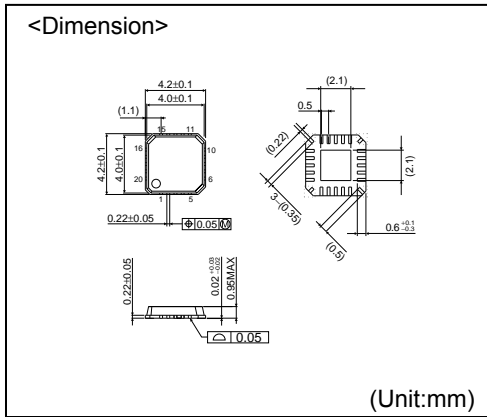
### 12. Ground Wiring Pattern

When using both small signal and large current GND patterns, it is recommended to isolate the two ground patterns, placing a single ground point at the ground potential of application so that the pattern wiring resistance and voltage variations caused by large currents do not cause variations in the small signal ground voltage. Be careful not to change the GND wiring pattern of any external components, either.

●Type Designations (Selections) for Ordering



**HQFN20V**



- The contents described herein are correct as of September, 2008
- The contents described herein are subject to change without notice. For updates of the latest information, please contact and confirm with ROHM CO.,LTD.
- Any part of this application note must not be duplicated or copied without our permission.
- Application circuit diagrams and circuit constants contained herein are shown as examples of standard use and operation. Please pay careful attention to the peripheral conditions when designing circuits and deciding upon circuit constants in the set.
- Any data, including, but not limited to application circuit diagrams and information, described herein are intended only as illustrations of such devices and not as the specifications for such devices. ROHM CO.,LTD. disclaims any warranty that any use of such devices shall be free from infringement of any third party's intellectual property rights or other proprietary rights, and further, assumes no liability of whatsoever nature in the event of any such infringement, or arising from or connected with or related to the use of such devices.
- Upon the sale of any such devices, other than for buyer's right to use such devices itself, resell or otherwise dispose of the same, implied right or license to practice or commercially exploit any intellectual property rights or other proprietary rights owned or controlled by ROHM CO., LTD. is granted to any such buyer.
- The products described herein utilize silicon as the main material.
- The products described herein are not designed to be X ray proof.

The products listed in this catalog are designed to be used with ordinary electronic equipment or devices (such as audio visual equipment, office-automation equipment, communications devices, electrical appliances and electronic toys). Should you intend to use these products with equipment or devices which require an extremely high level of reliability and the malfunction of which would directly endanger human life (such as medical instruments, transportation equipment, aerospace machinery, nuclear-reactor controllers, fuel controllers and other safety devices), please be sure to consult with our sales representative in advance.

Contact us for further information about the products.

- |                       |                        |                        |                     |                        |                        |
|-----------------------|------------------------|------------------------|---------------------|------------------------|------------------------|
| <b>San Diego</b>      | TEL: +1-858-625-3630   | FAX: +1-858-625-3670   | <b>Tianjin</b>      | TEL: +86-22-3029181    | FAX: +86-22-3029183    |
| <b>Atlanta</b>        | TEL: +1-770-754-5972   | FAX: +1-770-754-0691   | <b>Shanghai</b>     | TEL: +86-21-6279-2727  | FAX: +86-21-6247-2066  |
| <b>Boston</b>         | TEL: +1-978-371-0382   | FAX: +1-928-438-7164   | <b>Hangzhou</b>     | TEL: +86-571-87658072  | FAX: +86-571-87658071  |
| <b>Chicago</b>        | TEL: +1-847-368-1006   | FAX: +1-847-368-1008   | <b>Nanjing</b>      | TEL: +86-25-8689-0015  | FAX: +86-25-8689-0393  |
| <b>Dallas</b>         | TEL: +1-469-287-5366   | FAX: +1-469-362-7973   | <b>Ningbo</b>       | TEL: +86-574-87654201  | FAX: +86-574-87654208  |
| <b>Denver</b>         | TEL: +1-303-708-0908   | FAX: +1-303-708-0858   | <b>Qingdao</b>      | TEL: +86-532-5779-312  | FAX: +86-532-5779-653  |
| <b>Detroit</b>        | TEL: +1-248-348-9920   | FAX: +1-248-348-9942   | <b>Suzhou</b>       | TEL: +86-512-6807-1300 | FAX: +86-512-6807-2300 |
| <b>Nashville</b>      | TEL: +1-615-620-6700   | FAX: +1-615-620-6702   | <b>Wuxi</b>         | TEL: +86-510-82702693  | FAX: +86-510-82702992  |
| <b>Mexico</b>         | TEL: +52-33-3123-2001  | FAX: +52-33-3123-2002  | <b>Shenzhen</b>     | TEL: +86-755-8307-3008 | FAX: +86-755-8307-3003 |
| <b>Düsseldorf</b>     | TEL: +49-2154-9210     | FAX: +49-2154-921400   | <b>Dongguan</b>     | TEL: +86-769-8393-3320 | FAX: +86-769-8398-4140 |
| <b>Munich</b>         | TEL: +49-8999-216168   | FAX: +49-8999-216176   | <b>Fuzhou</b>       | TEL: +86-591-8801-8698 | FAX: +86-591-8801-8690 |
| <b>Stuttgart</b>      | TEL: +49-711-7272-370  | FAX: +49-711-7272-3720 | <b>Guangzhou</b>    | TEL: +86-20-3878-8100  | FAX: +86-20-3825-5965  |
| <b>France</b>         | TEL: +33-1-5697-3060   | FAX: +33-1-5697-3080   | <b>Huizhou</b>      | TEL: +86-752-205-1054  | FAX: +86-752-205-1059  |
| <b>United Kingdom</b> | TEL: +44-1-908-306700  | FAX: +44-1-908-235788  | <b>Xiamen</b>       | TEL: +86-592-238-5705  | FAX: +86-592-239-8380  |
| <b>Denmark</b>        | TEL: +45-3694-4739     | FAX: +45-3694-4789     | <b>Zhuhai</b>       | TEL: +86-756-3232-480  | FAX: +86-756-3232-460  |
| <b>Espoo</b>          | TEL: +358-9725-54491   | FAX: +358-9-7255-4499  | <b>Hong Kong</b>    | TEL: +852-2-740-6262   | FAX: +852-2-375-8971   |
| <b>Salo</b>           | TEL: +358-2-7332234    | FAX: +358-2-7332237    | <b>Taipei</b>       | TEL: +886-2-2500-6956  | FAX: +886-2-2503-2869  |
| <b>Oulu</b>           | TEL: +358-9-5372930    | FAX: +358-8-5372931    | <b>Kaohsiung</b>    | TEL: +886-7-237-0881   | FAX: +886-7-238-7332   |
| <b>Barcelona</b>      | TEL: +34-9375-24320    | FAX: +34-9375-24410    | <b>Singapore</b>    | TEL: +65-6332-2322     | FAX: +65-6332-5662     |
| <b>Hungary</b>        | TEL: +36-1-4719338     | FAX: +36-1-4719339     | <b>Philippines</b>  | TEL: +63-2-807-6872    | FAX: +63-2-809-1422    |
| <b>Poland</b>         | TEL: +48-22-5757213    | FAX: +48-22-5757001    | <b>Thailand</b>     | TEL: +66-2-254-4890    | FAX: +66-2-256-6334    |
| <b>Russia</b>         | TEL: +7-495-739-41-74  | FAX: +7-495-739-41-74  | <b>Kuala Lumpur</b> | TEL: +60-3-7958-8355   | FAX: +60-3-7958-8377   |
| <b>Seoul</b>          | TEL: +82-2-8182-700    | FAX: +82-2-8182-715    | <b>Penang</b>       | TEL: +60-4-2286453     | FAX: +60-4-2286452     |
| <b>Masan</b>          | TEL: +82-55-240-6234   | FAX: +82-55-240-6236   | <b>Kyoto</b>        | TEL: +81-75-365-1218   | FAX: +81-75-365-1228   |
| <b>Dalian</b>         | TEL: +86-411-8230-8549 | FAX: +86-411-8230-8537 | <b>Yokohama</b>     | TEL: +81-45-476-2290   | FAX: +81-45-476-2295   |
| <b>Beijing</b>        | TEL: +86-10-8525-2483  | FAX: +86-10-8525-2489  |                     |                        |                        |

Excellence in Electronics

**ROHM CO., LTD.**

21 Saiin Mizosaki-cho, Ukyo-ku, Kyoto  
615-8585, Japan  
TEL: +81-75-311-2121 FAX: +81-75-315-0172  
URL: <http://www.rohm.com>

Published by  
KTC LSI Development Headquarters  
LSI Business Promotion Group

### Notes

- No technical content pages of this document may be reproduced in any form or transmitted by any means without prior permission of ROHM CO.,LTD.
- The contents described herein are subject to change without notice. The specifications for the product described in this document are for reference only. Upon actual use, therefore, please request that specifications to be separately delivered.
- Application circuit diagrams and circuit constants contained herein are shown as examples of standard use and operation. Please pay careful attention to the peripheral conditions when designing circuits and deciding upon circuit constants in the set.
- Any data, including, but not limited to application circuit diagrams information, described herein are intended only as illustrations of such devices and not as the specifications for such devices. ROHM CO.,LTD. disclaims any warranty that any use of such devices shall be free from infringement of any third party's intellectual property rights or other proprietary rights, and further, assumes no liability of whatsoever nature in the event of any such infringement, or arising from or connected with or related to the use of such devices.
- Upon the sale of any such devices, other than for buyer's right to use such devices itself, resell or otherwise dispose of the same, no express or implied right or license to practice or commercially exploit any intellectual property rights or other proprietary rights owned or controlled by
- ROHM CO., LTD. is granted to any such buyer.
- Products listed in this document are no antiradiation design.

The products listed in this document are designed to be used with ordinary electronic equipment or devices (such as audio visual equipment, office-automation equipment, communications devices, electrical appliances and electronic toys).

Should you intend to use these products with equipment or devices which require an extremely high level of reliability and the malfunction of which would directly endanger human life (such as medical instruments, transportation equipment, aerospace machinery, nuclear-reactor controllers, fuel controllers and other safety devices), please be sure to consult with our sales representative in advance.

It is our top priority to supply products with the utmost quality and reliability. However, there is always a chance of failure due to unexpected factors. Therefore, please take into account the derating characteristics and allow for sufficient safety features, such as extra margin, anti-flammability, and fail-safe measures when designing in order to prevent possible accidents that may result in bodily harm or fire caused by component failure. ROHM cannot be held responsible for any damages arising from the use of the products under conditions out of the range of the specifications or due to non-compliance with the NOTES specified in this catalog.

Thank you for your accessing to ROHM product informations.

More detail product informations and catalogs are available, please contact your nearest sales office.

**ROHM** Customer Support System

THE AMERICAS / EUROPE / ASIA / JAPAN

[www.rohm.com](http://www.rohm.com)

Contact us : [webmaster@rohm.co.jp](mailto:webmaster@rohm.co.jp)